

Ditec NeoS e NeoS+

Electromechanical actuators for sliding gates

Ditec NeoS is the range of operators for sliding gates up to 1.000 Kg for residential, commercial and industrial applications. Two different performance levels are offered: **NeoS and NeoS+**

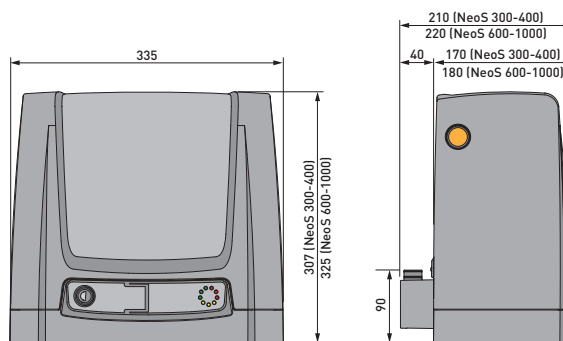
Fast to install and easy to service, it integrates the control panel with display in the operator and offers a wide choice of functions and configurations. It is compatible with the entire range of Ditec accessories and can be fitted with a battery kit for use during power failures. Available frequencies: 433 MHz (standard) and 868 MHz (optional).

The **NeoS+** range offers advanced functions and technical features: LEDs communicating operator status, USB connection for accurate diagnostics, the possibility of connecting to solar power, and the possibility of controlling courtesy lights or outdoor lighting.



Product specifications

EN



Description	NeoS 300	NeoS 400 - NeoS+ 400	NeoS 600 - NeoS+ 600	NeoS+ 1000
Capacity	300 kg	400 kg	600 kg	1000 kg
Stroke control	virtual encoder	virtual encoder	limit switch + virtual encoder	limit switch + virtual encoder
Maximum opening	12 m	12 m	20 m	20 m
Service class	4 - heavy duty	4 - heavy duty	4 - heavy duty	4 - heavy duty
Intermittent operation	S2 = 30 min S3 = 50%	S2 = 30 min S3 = 50%	S2 = 30 min S3 = 50%	S2 = 30 min S3 = 50%
Power supply	230 V AC / 50/60 Hz	230 V AC / 50/60 Hz	230 V AC / 50/60 Hz	230 V AC / 50/60 Hz
Motor power supply	24 V DC	24 V DC	24 V DC	24 V DC
Power input	1.2 A	1.2 A	1.5 A	2 A
Thrust	300 N	400 N	600 N	1000 N
Opening and closing speed	0.1 - 0.25 m/s	0.1 - 0.25 m/s	0.1 - 0.24 m/s	0.1 - 0.19 m/s
Operating temperature	-20°C / +55°C [-35°C / +55°C with NIO enabled]			
Protection rating	IP 24	IP 24	IP 24	IP 24
Operating temperature	-20°C / +55°C [-35°C / +55°C with NIO enabled]			

Main system functions

Description	NeoS 300 - NeoS 400 - NeoS 600	NeoS+ 400 - NeoS+ 600 - NeoS+ 1000
Control panel	ref. CS12E with built-in radio	ref. CS12E with built-in radio
Radio frequency	433.92 MHz as standard - 868.65 Mhz (with GOL868R4)	433.92 MHz as standard - 868.65 MHz (with GOL868RS)
Batteries	■ (optional)	■ (optional)
Solar energy ready		■ (ready)
Accessories power supply	24 V DC / 0.3 A	24 V DC / 0.5 A
Flashing light	24 V DC	24 V DC
Outlet for automation status indicator		■
Courtesy light output (up to 400 W)		■
Micro USB connection per PC diagnostic		■
Automatic closure activated by external timer		■
8,2 KΩ input for safety edge	■ (with GOPAV system)	■ (with GOPAV system)
Force and speed adjustment	via display	via display
ODS - Obstruction detection system	■	■
Braking/slowing down	via display	via display
Partial opening control	■ (only with remote control)	■ (with remote control and with selector)
Open / Close control	■	■
Timer-controlled automatic closing	■	■
Person present control	■	■
Emergency stop / reverse	■	■
Safety test	■	■
Soft Start	■	■

Full compliance with the EU Directives and Standards

- 2014/30/EU - EMCD - Electromagnetic Compatibility Directive
- 2014/53/EU - RED - Radio Equipment Directive
- 2006/42/CE - Machine Directive - (Annex II-B; Annex II-A; Annex I-chapter 1)
- Applied harmonized EU standard: EN ISO 13849-1 e EN ISO 13849-2 [approved by TUV Rheinland]; EN 60335-1; EN61000-6-3; EN61000-6-2; ETSI EN 300 220-1; ETSI EN 300 220-2; ETSI EN 301 489-1; ETSI EN 301 489-3
- Other standards or technical specification applied: EN12445; EN62233; EN55014-1
- ITT tests passed both with active and passive safety edge [EN 12453]